
**Features**

- Low ripple <10mVpp
- On-board reference source
- Easy adjustment
- Shielded, HF safe package
- up to 500 V maximum voltage

**Description**

Precision regulated power module for APD and PIN diodes with very low ripple.

**Application**

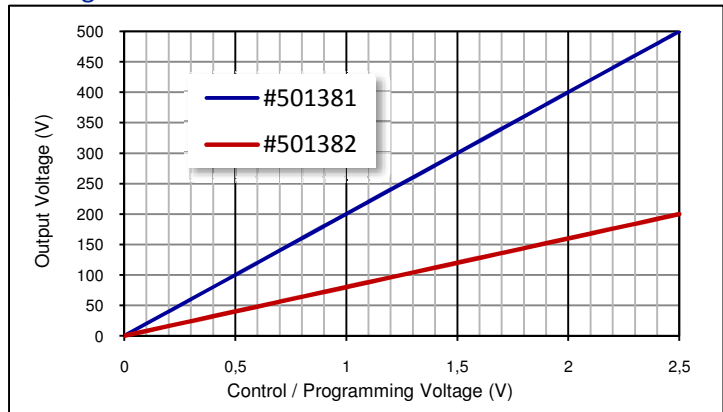
- High voltage for APD
- High voltage for PIN-PD

**RoHS**

2002/95/EC


**Absolute maximum ratings**

Symbol	Parameter	Min	Max	Unit
$T_{STG}$	Storage temp	-10	125	°C
$T_{OP}$	Operating temp	-10	70	°C
$V_{CC}$	Supply Voltage	0	6	V

**Voltage Control**

**Electrical characteristics @ 23°C**

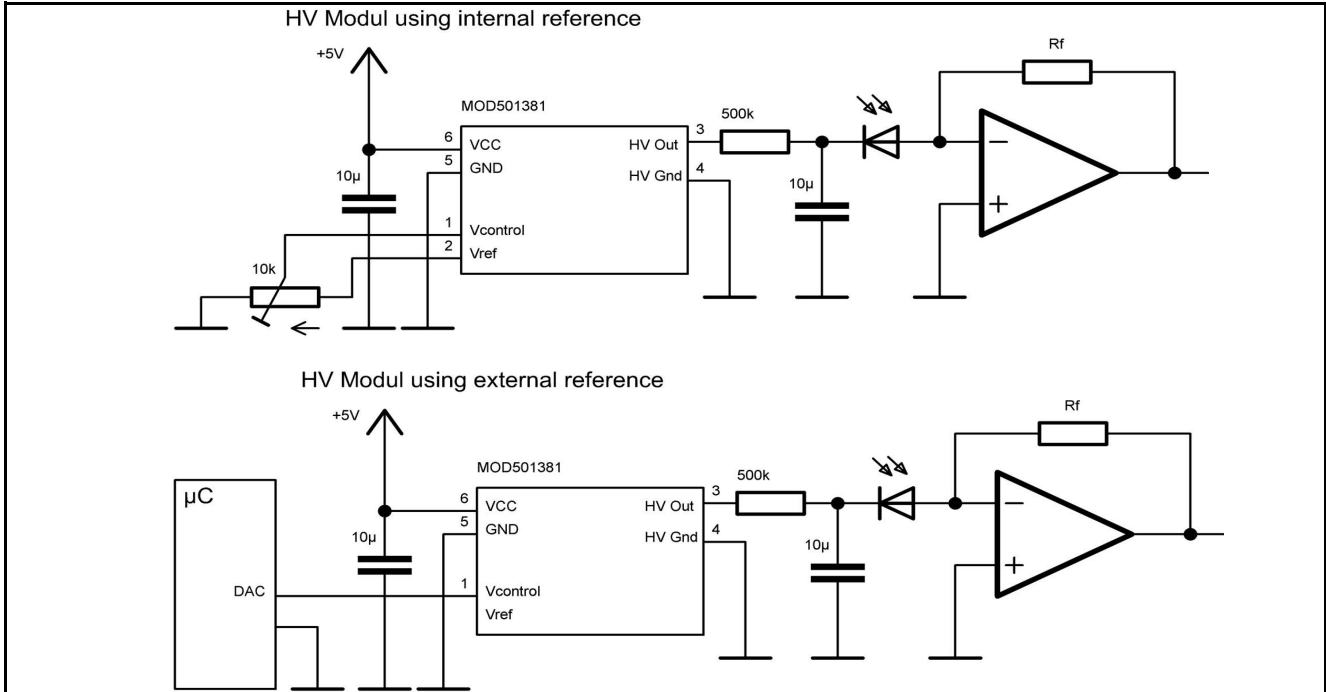
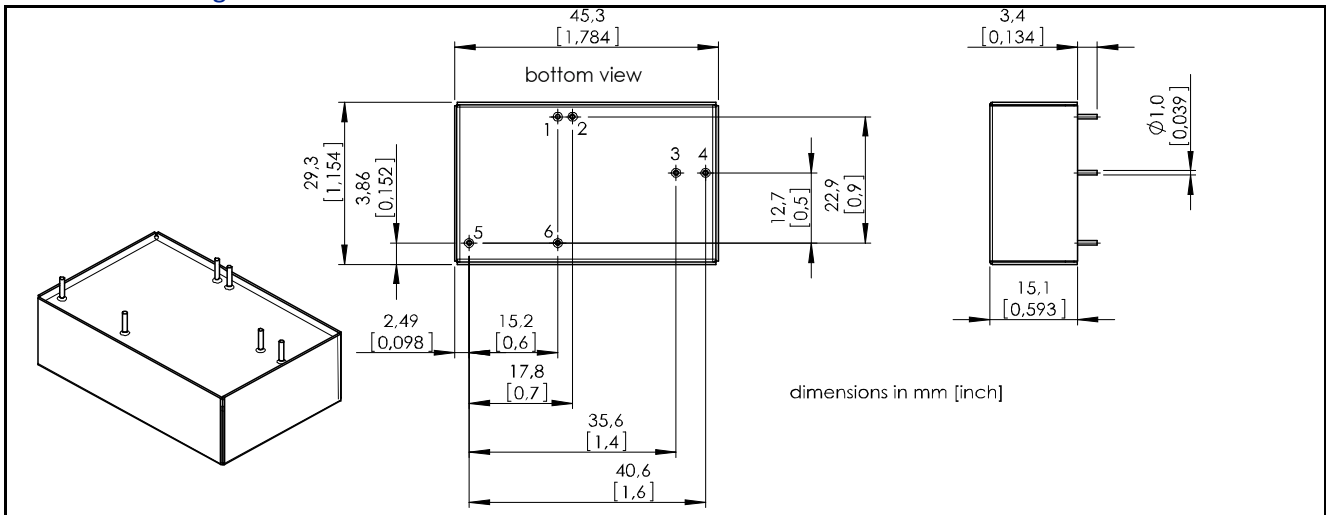
Symbol	Characteristic	Test Condition	Min	Typ	Max	Unit
$V_{CC}$	Input voltage		+4.5		+5.5	V
	Input current w/o load	@ 500 V			70	mA
	Input capacitance			200		μF
$V_{control}$	Control voltage		0		2.5	V
	Set point accuracy			1		%
	Deviation from linearity			0.5		%
$V_{ref}$	Reference output		2.475	2.5	2.525	V
$T_K$	Temperature coefficient				50	ppm/K
	Ripple	peak to peak		7.5	10	mVpp
	Short circuit protected				5	s
$HV_{out}$	Output voltage	order number 501381			500	V
	Output voltage	order number 501382			200	V
	Output current				1	mA

**European, International Sales:**


First Sensor AG  
 Peter-Behrens-Strasse 15  
 12459 Berlin  
 Germany  
 T +49 30 6399 2399  
 F +49 30 639923-752  
 sales.opto@first-sensor.com

**USA:**


First Sensor Inc.  
 5700 Corsa Avenue #105  
 Westlake Village  
 CA 91362 USA  
 T +1 818 706 3400  
 F +1 818 889 7053  
 sales.us@first-sensor.com

**Application hints**

**Technical drawing**

**Mechanical characteristics**

Parameter	Parameter	Unit
Length	45	mm
Width	29	mm
Height	15	mm
Volume	19.575	cm <sup>3</sup>
Weight	45	g
Case material	Tinplate	

**Pin connections**

Part	Symbol	Function
1	V <sub>control</sub>	Control voltage
2	V <sub>ref</sub>	Reference output
3	HV <sub>out</sub>	High voltage output
4	HV <sub>GND</sub>	High voltage ground
5	GND	Ground
6	V <sub>CC</sub>	Input voltage

Disclaimer: Due to our strive for continuous improvement, specifications are subject to change within our PCN policy according to JESD46C.

**European, International Sales:**

 First Sensor AG  
 Peter-Behrens-Strasse 15  
 12459 Berlin  
 Germany  
 T +49 30 6399 2399  
 F +49 30 639923-752  
 sales.opto@first-sensor.com

**USA:**

 First Sensor Inc.  
 5700 Corsa Avenue #105  
 Westlake Village  
 CA 91362 USA  
 T +1 818 706 3400  
 F +1 818 889 7053  
 sales.us@first-sensor.com